



# INSTALLATION INSTRUCTIONS

# SUBARU

PART NUMBER: J101SAN900

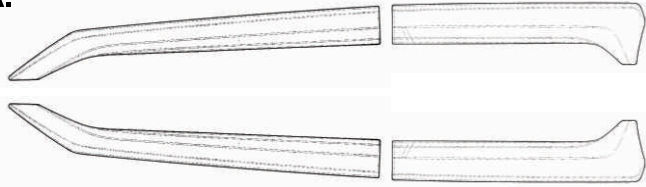
DESCRIPTION: OUTBACK Wilderness Door Cladding

### PRE-INSTALLATION NOTES

- NOTE:** VEHICLE AND ALL INSTALLATION MATERIAL TEMPERATURES MUST BE 60°F (16°C) TO 86°F (31°C) BEFORE AND DURING INSTALLATION PROCESS.
- NOTE:** IF INSTALLING DOOR CLADDING ALONG WITH DOOR EDGE GUARDS, THE DOOR CLADDING MUST BE INSTALLED FIRST TO ALLOW PROPER ALIGNMENT OF THE INSTALLATION TEMPLATE.
- NOTE:** IF INSTALLING DOOR CLADDING ALONG WITH BODY SIDE MOLDING, BODY SIDE MOLDING MUST BE INSTALLED FIRST, SO THAT INSTALLATION TEMPLATES FOR BOTH ACCESSORIES CAN BE PROPERLY ALIGNED

### KIT CONTENTS:

**A.**



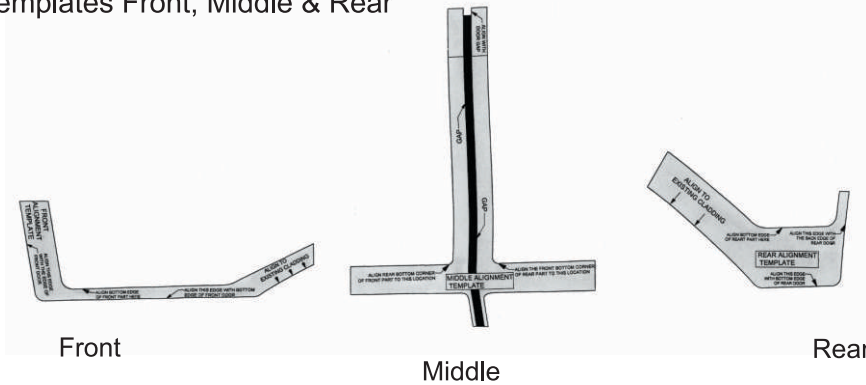
Door Cladding 4 pcs.

**B.**



Alcohol Wipe x 4

### C. Installation Location Templates Front, Middle & Rear



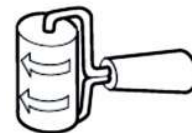
### TOOLS REQUIRED:



Masking Tape



Wash Supplies



Rubber Roller

PART NUMBER:  
SPN003921

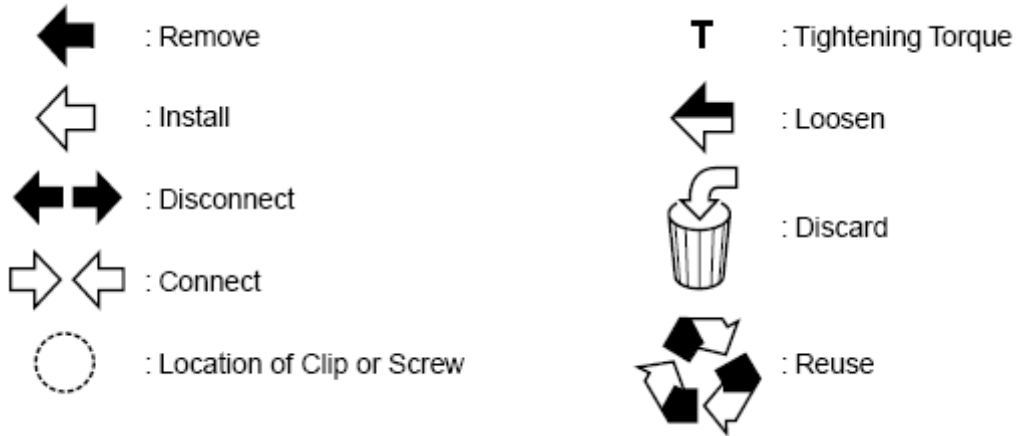
ISSUE:  
REV-1

DATE:  
8/10/2020

SUBARU OF AMERICA

PAGE  
1/5

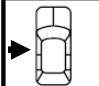
## MEANING OF CHARACTERS:

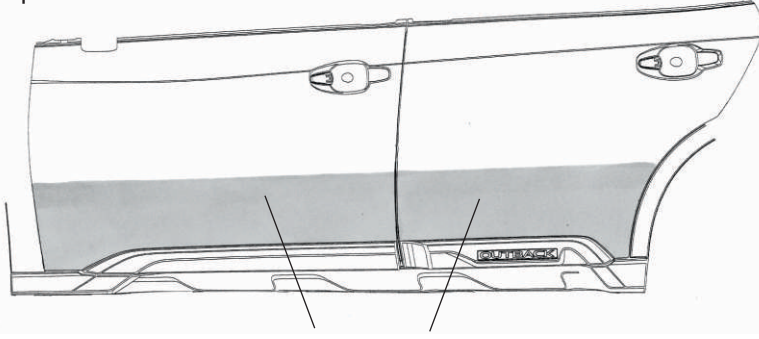


## Surface Preparation

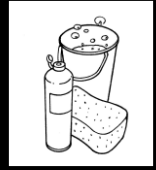
1

Make sure that all shaded installation surfaces (shown below) are washed and free of dirt, grease and debris. Next use alcohol wipes included in the kit and then dry. Inspect vehicle for damage before installation of door cladding. Before beginning, vehicle and door cladding must be at room temperature. If the temperature is below 60F (21 C) or above 110F (43 C). Let vehicle sit indoors until the doors and door cladding are at room temperature





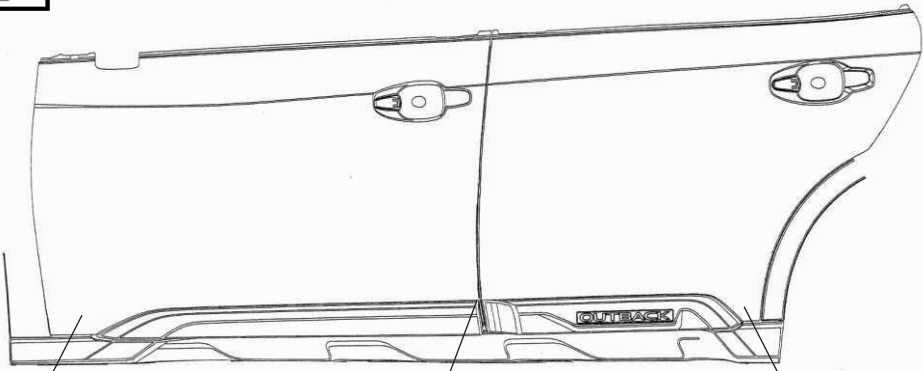
Area To Be Cleaned



## Body Side Molding Installation

2

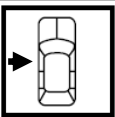
Locate front lower door corner, middle lower door and rear lower door corner.

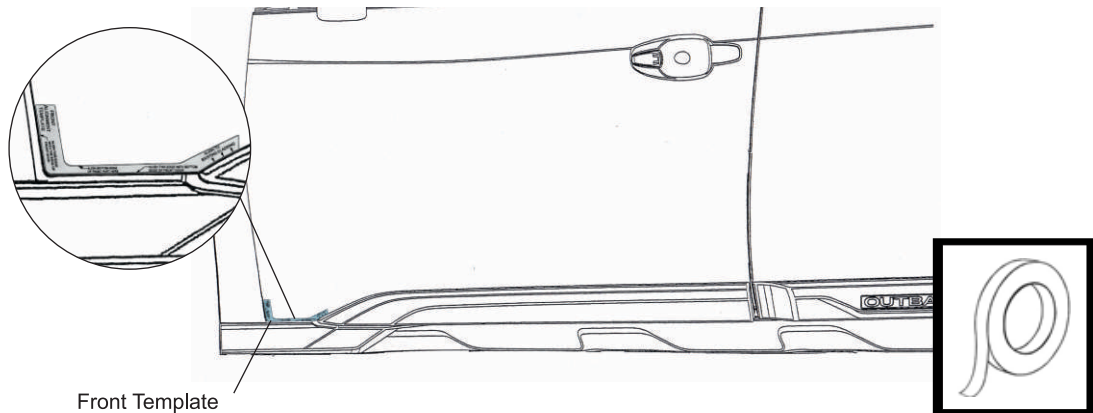


Front Lower  
Door Corner

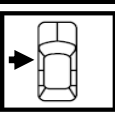
Middle Lower  
Door

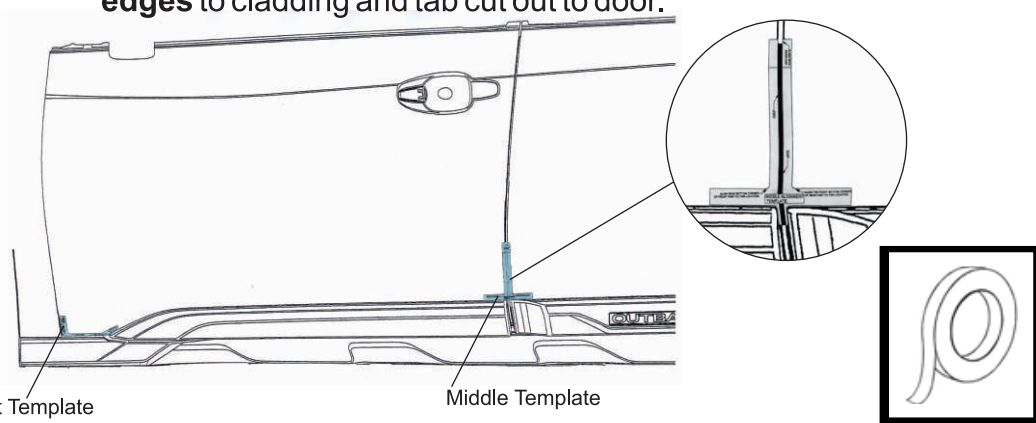
Rear Lower  
Door Corner

**3**  Position front lower location template in place as shown. Make sure the template is aligned with front and bottom edge of door and cladding. Then tape **outside edges** of template to door and cladding.

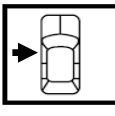


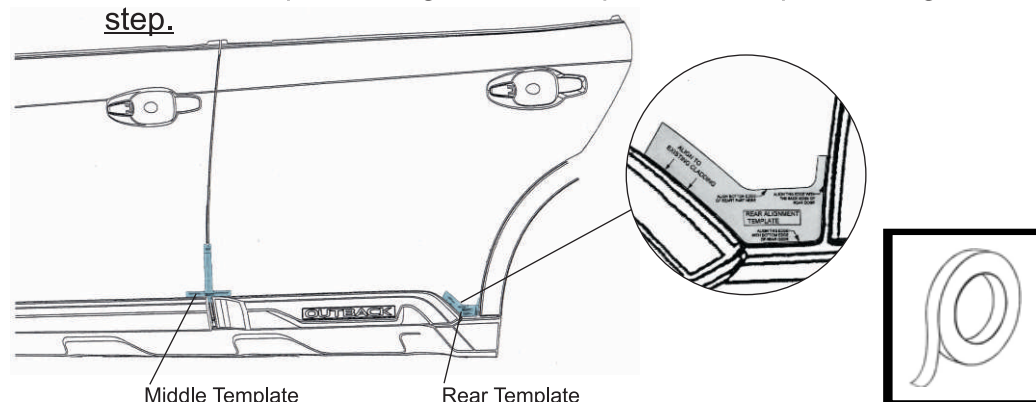
Front Template

**4**  Position middle lower location template in place as shown. Make sure the template is aligned to lower cladding and lower door gap then check upper top tab cut out with door gap. Then tape **outside edges** to cladding and tab cut out to door.

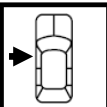


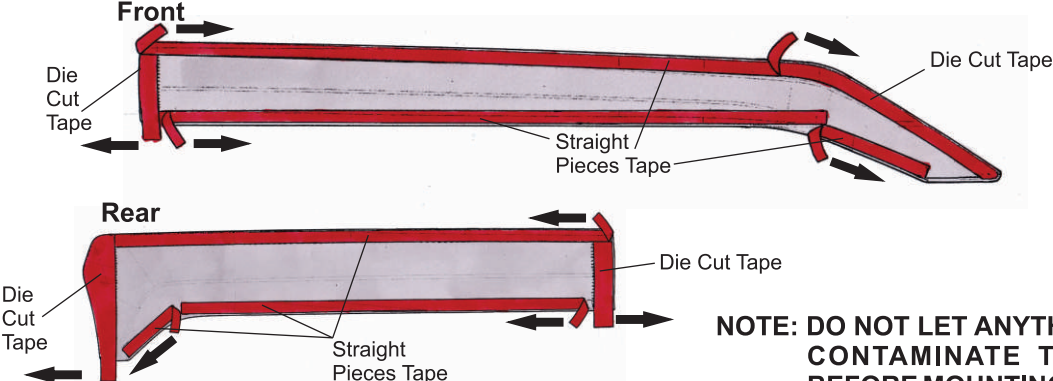
Front Template Middle Template

**5**  Position rear lower location template in place as shown. Make sure the template is aligned with rear and bottom edge of door and cladding, then tape **outside edges** to cladding and door. Refer to instruction 8 positioning and test fit parts before proceeding to next step.

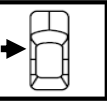


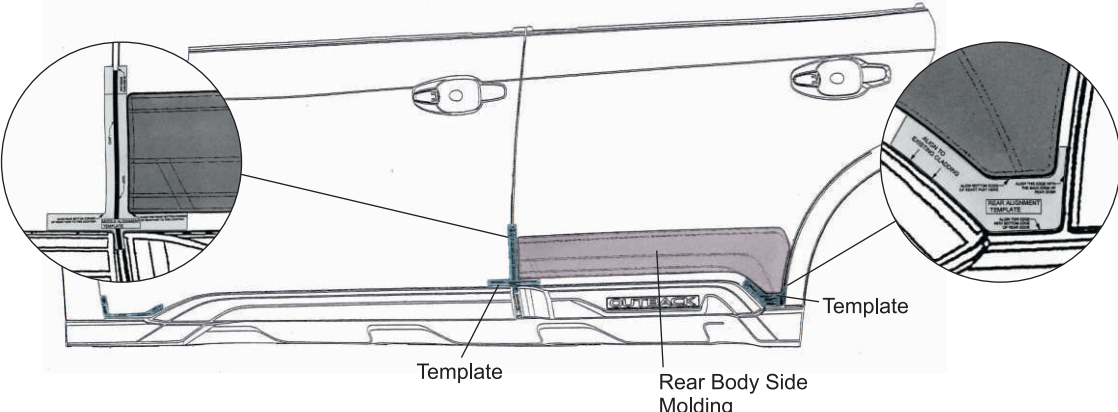
Middle Template Rear Template

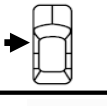
**6**  Remove both die cut end tape liners from back side of front and rear door claddings, then using tabs peel back straight pieces of tape 25-30mm and fold outwards. **DO NOT TOUCH EXPOSED TAPE**

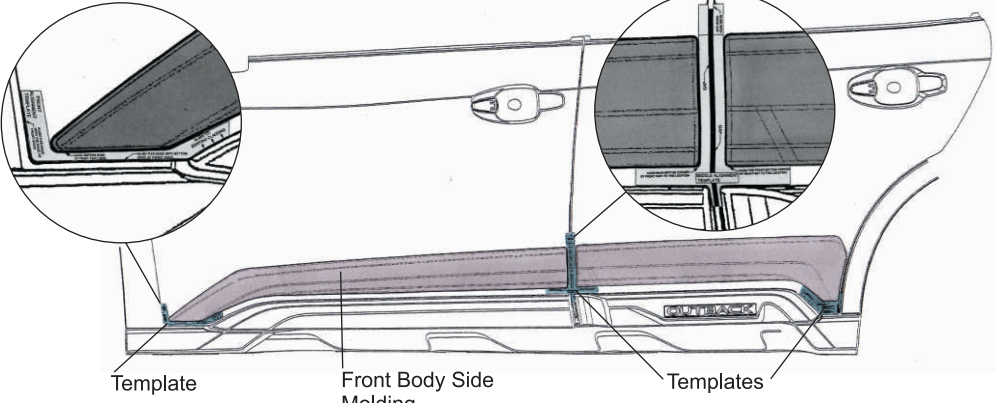


**NOTE: DO NOT LET ANYTHING CONTAMINATE TAPE BEFORE MOUNTING.**

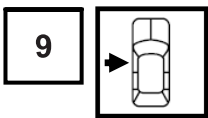
**7**  Place rear door cladding on to door using template as shown. Tack down ends check positioning then remove liners while holding part in position, tack down all tape lengths.



**8**  Place front door cladding on to door using template as shown. Tack down ends check positioning then remove liners while holding part in position, tack down all tape lengths.

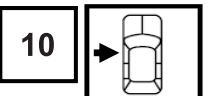
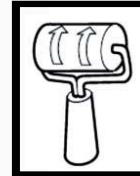
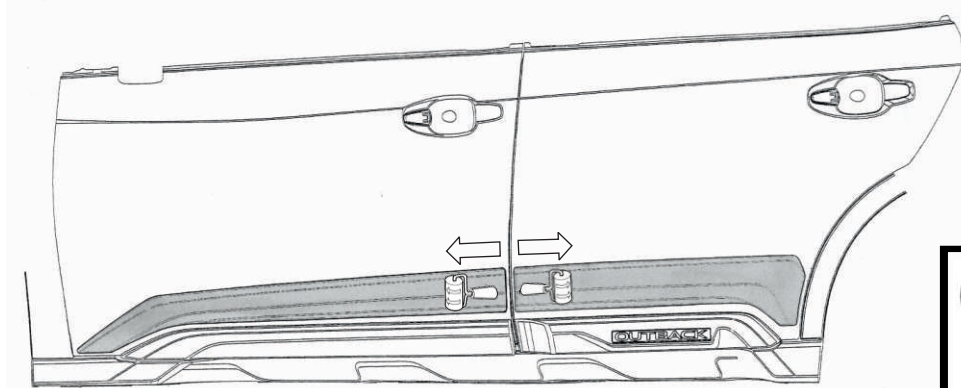


**CAREFULLY REMOVE TEMPLATES FOR REUSE**



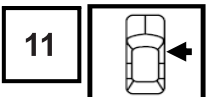
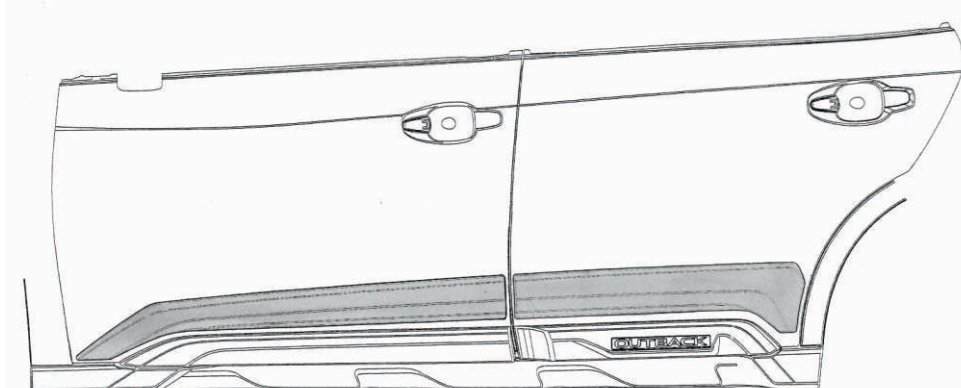
9

Using a rubber roller, apply firm, even pressure across the door cladding to adhere all pieces of tape to vehicle.



10

Installation is complete for drivers side of vehicle.



11

Repeat steps 1 through 10 on passengers side of vehicle, using other side of paper template.